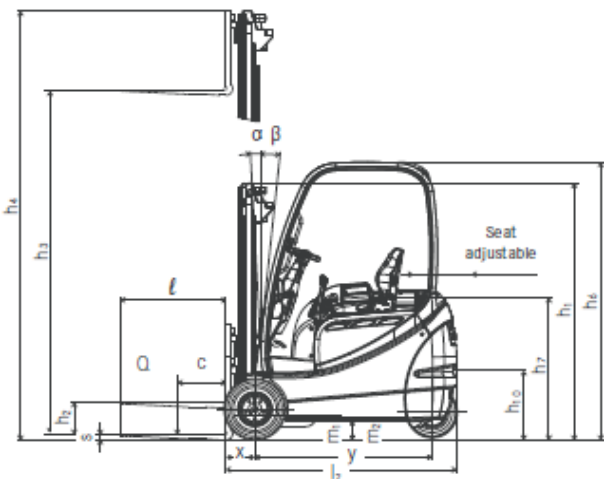


Distinguishing marks	1.1	Manufacturer			STILL	
	1.2	Manufacturer's type designation			RX 20-15 /	
	1.2.1	Manufacturer model number			6210	
	1.3	Drive			Electric	
	1.4	Operation			Seated	
	1.5	Nominal load capacity/load	Q	kg	1500	
	1.6	Load centre distance	c	mm	500	
	1.8	Load spacing	x	mm	355	
	1.9	Wheel base	y	mm	1341	
Weights	2.1	Empty weight (incl. battery)		kg	2763	
	2.2	Axle weight with load	front/rear	kg	3758/505	
	2.3	Axle weight without load	front/rear	kg	1302/1461	
Tyres/chassis	3.1	Tyres			Superelastic	
	3.2	Tyre size	front	mm	180/70-8 (18 x 7-8)	
	3.3	Tyre size	rear	mm	125/75-8 (15 x 4 1/2 -8)	
	3.5	Number of wheels (x = driven)	front/rear		2x/2	
	3.6	Track width	front/rear	b ₁₀ /b ₁₁	mm	932/168
	Basic dimensions	4.1	Angle of mast/fork carriage	forward/backward	α/β	°
4.2		Height of mast when retracted		h ₁	mm	2160
4.3		Free lift		h ₂	mm	150
4.4		Lift ¹		h ₃	mm	3230
4.5		Height of mast when extended		h ₄	mm	3805
4.7		Height above protected roof (cabin)		h ₆	mm	2082
4.8		Seat height in terms of SIP		h ₇	mm	1015
4.12		Coupling height		h ₁₀	mm	490
4.19		Total length		l ₁	mm	2683
4.20		Length including fork backs		l ₂	mm	1883
4.21		Total width		b ₁	mm	1099
4.22		Fork dimensions		s/e/l	mm	40/80/800
4.23		Fork carriage ISO 2328, class/form A, B				ISO II/A
4.24		Fork carriage width		b ₃	mm	980
4.31		Ground clearance under mast		m ₁	mm	90
4.32		Ground clearance centre wheel base		m ₂	mm	123
4.34.1		Working aisle width with pallet 1000 x 1200 crossways		A _{st}	mm	3209
4.34.2		Working aisle width with pallet 800 x 1200 lengthways		A _{st}	mm	3333
4.35		Turning radius		W _a	mm	1528
4.36	Smallest pivoting distance		b ₁₃	mm	-	
Performance data	5.1	Driving speed (Blue-Q/normal/sprint)	with load	km/h	16/16/20	
	5.1	Driving speed (Blue-Q/normal/sprint)	without load	km/h	16/16/20	
	5.2	Lifting speed (Blue-Q/normal/sprint)	with load	m/s	0.43/0.43/0.55	
	5.2	Lifting speed (Blue-Q/normal/sprint)	without load	m/s	0.55/0.55/0.60	
	5.3	Lowering speed	with/without load	m/s	0.51/0.47	
	5.5	Drawbar pull	with/without load	N	4500/4600	
	5.6	Max. drawbar pull	with/without load	N	12200/7500	
	5.7	Gradeability	with/without load	%	12.8/20.1	
	5.8	Max. gradeability	with/without load	%	28.5/26.5	
	5.9	Acceleration time (Blue-Q/normal/sprint)	with load	s	4.3/4.1/4.1	
5.9	Acceleration time (Blue-Q/normal/sprint)	without load	s	4.2/4.0/4.0		
5.10	Service brake				Electric/mechanical	
Electric engine	6.1	Drive motor, output with S2 60 min		kW	2 x 5.5	
	6.2	Lifting motor, output with S3 15%		kW	9	
	6.3	Battery according to DIN 43531/35/36 A, B, C, no				DIN 43531 B
	6.4	Battery voltage	U	V		48
	6.4.1	Battery capacity K _s		Ah		575 (-625)
	6.5	Battery weight		kg		856
6.6	Energy consumption 60 VDI combustion cycles/hour		kWh/h		4.3	
Misc.	10.1	Working pressure for accessory equipment		bar	250	
	10.2	Oil volume for accessory equipment		l/min	30	
	10.7	Sound pressure level L _{pAz} (operator's position) ²		dB(A)	<70	
		Human vibrations: acceleration in accordance with EN 13059		m/s ²	<0.7	
10.8	Trailer coupling, item/DIN type				Bolt	

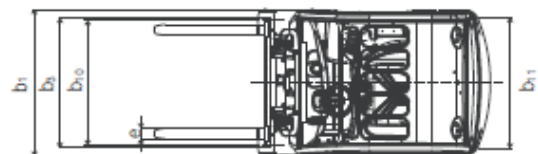
¹ The specified rated lift takes into consideration the tyre deflection and the tolerances of the tyre diameter

² Without cab. Different values with cab

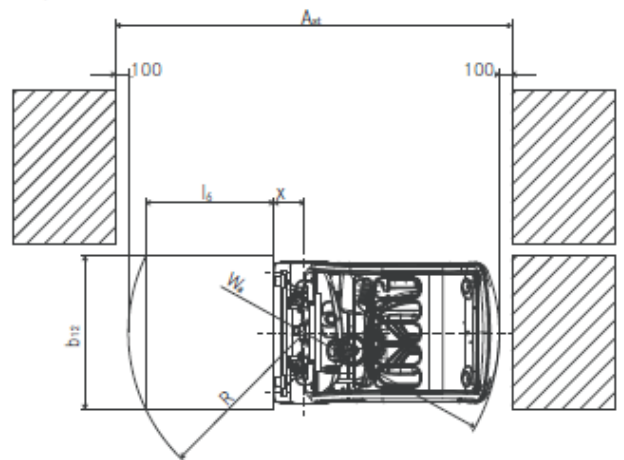
			Telescopic mast		HiLo mast	Triplex mast	
Nominal lift	h_3	mm	2830-4230	4730-5430	2975-3975	4320-5220	5620-7870
Overall height	h_1	mm	1960-2660	2910-3260	1960-2460	1960-2260	2460-3210
Free lift	h_2/h_5	mm	150	150	1362-1862	1362-1662	1862-2612
Maximum height	h_4	mm	3473-4873	5273-6073	3593-4593	4938-5838	6238-8488
Angle of mast forward/backward	α/β	°	3/8		3/6	3/6	
Fork lock-in position centre-centre		mm	216/368/445/521/673/670				
Maximum width	b_1	mm	1099	1188	1099	1099	1188
Total length	l_2	mm	1883		1883	1903	
Load spacing	x	mm	355		355	375	
Working aisle width	A_{st}	mm	(1000 x 1200) 3209 (1200 x 800) 3333			(1000 x 1200) 3228 (1200 x 800) 3353	
Tyres front			18 x 7-8	200/50-10	18 x 7-8	18 x 7-8	200/50-10
Tyres rear			15 x 4 1/2-8				
Track front/rear	b_{10}/b_{11}	mm	932/168	990/168	932/168	932/168	990/168
Total length	l_2	mm	2061		2061	2081	
Working aisle width	A_{st}	mm	(1000 x 1200) 3408 (1200 x 800) 3607			(1000 x 1200) 3428 (1200 x 800) 3627	
Tyres front/rear			18 x 7-8 / 16 x 6-8				
Track front/rear	b_{10}/b_{11}	mm	932/865	990/865	932/865	932/865	990/865



Side view 3-wheel

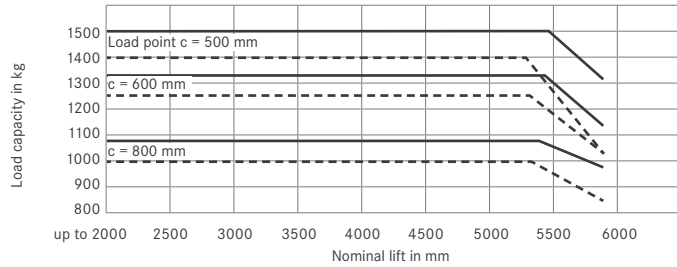


Top view 3-wheel

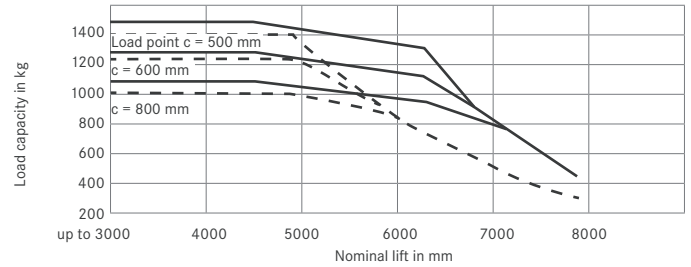


Top view 3-wheel

RX 20-15 telescopic/HiLo mast



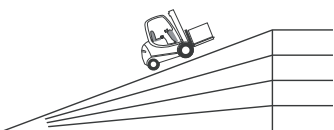
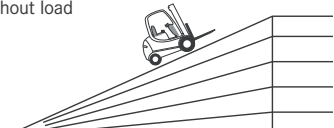
RX 20-15 triplex mast



Gradients

Maximum distance that can be driven in 60 minutes.

Example: A RX 20-16 with a load of 1600 kg and a gradient of 16.7% can drive a distance of 247 m 10 times per hour.

	Gradient	Maximum distance in m			
		RX 20-16	RX 20-16P	RX 20-18P/h	RX 20-20P/h
With load 	21.2%	1477	1476	1010	292
	16.7%	2470	2456	1825	1504
	13.0%	4559	4523	3255	2709
	6.0%	10445	10400	9547	8933
Without load 	25.5%	2766	2754	1895	1666
	20.1%	4855	4792	3354	3026
	10.5%	10783	10530	9222	8811
	4.7%	20000	20000	20000	20000

Dry rough concrete surface = Coefficient of friction 0.80
Standard battery as indicated in data sheet

Driver's cab	Operating costs kept low thanks to low energy consumption in all operating cycles and long operating intervals	●	
	Dual-pedal control	○	
	Weather-protected, canvas or full cab	○	
	Drive-in overhead guard with makrolon roof	○	
	Driver cab suitable for container loading (height: approx. 2154 mm)	○	
	Tinted front windscreen, rear and roof windows made of either green-tinted or makrolon laminated safety glass, plus windscreen wiper and wash system	○	
	Built-in storage and drink holder	●	
	Splash-proof operating unit featuring display and function buttons	●	
	Pad with clipboard (removable)	○	
	Grammer MSG 65 leatherette cover	●	
	Textile cover, airsprung, leatherette cover, lumbar support, height-adjustable back extension, heated seat	○	
	Swivel seat can be rotated 20 degrees to the right	○	
	Grab handle on protected roof	●	
	Horizontal spring plate for driver's seat to minimise human vibrations	○	
	Document pocket on the seat back	○	
	Roof liner with interior lighting	○	
	Radio/MP3 player with USB connection	○	
	Protective sunshade and sun blind	○	
	Electrical heating 1500 W incl. defrosting blaster	○	
	Adjustable roof window for instant cabin ventilation	○	
Mast	Cold storage version, display and hydraulic oil can be used up to -30 °C	○	
	Free view mast available in tele, HiLo and triplex versions	○	
	Load backrest	○	
	Mast vertical position	○	
	Hydraulic accumulator in the lifting cylinder to attenuate thrust seats in the hydraulic system	○	
	Bellows protect the tilt cylinder from dust and moisture	○	
	Stroke shut-off via push button	○	
	Fork wear protection	○	
	Tyres	Superelastic, single tyres, SIT system	●
		Superelastic, single tyres, natural colours, SIT system	○
Hydraulics	Noise-optimised hydraulic pump	●	
	Proportional valve technology for especially sensitive movements	○	
	Individual parametrisation options for hydraulic functions	○	
	Multi-lever operation	●	
	Mini-lever with armrest, 2, 3 or 4 levers	○	
Drives	Fingertip	○	
	Joystick	○	
	5 driving programs	●	
	Blue-Q energy saving mode	●	
Brake	Display showing energy consumption and remaining driving time based on current charge	●	
	Maintenance-free drives for driving, steering and lifting; components enclosed to protect against dust and moisture	●	
	Operating hours counter only operational with drive and lifting motor	●	
	Wear-free disc brakes that run in an oil bath	●	
Safety	Energy recovery when braking	●	
	Mechanical parking brake	●	
	Electromechanical parking brake	○	
	Low centre of gravity and steering axle with high self-aligning bearing for optimum levels of safety	●	
	Protective grille roof	○	
	EasyBelt restraint system for quick and safe fastening and unfastening	○	
	Sauermann restraint system model HRS-E/ERS or IWS restraint system with left-located strap opening	○	
	Headlights and LED lighting performance	○	
	Driver-adjusted speed limiter	●	
	STILL Safety Light warning device, illuminated blue	○	
	Assistance system (ATC - Assistance Truck Control): safe exit/parking and seat belt control	○	
	Assistance system (ATC - Assistance Truck Control): speed limiter controlled by steering angle	○	
Assistance system (ATC - Assistance Truck Control): speed limited when fork carrier is raised	○		
Load measuring with ±2% precision	○		
Panoramic mirror	○		
Direction can be changed both left- and right-handed via mini-console	○		
FleetManager: access authorisation, shock detection, reports, OptiTruck	○		

● Standard ○ Optional — Not available

